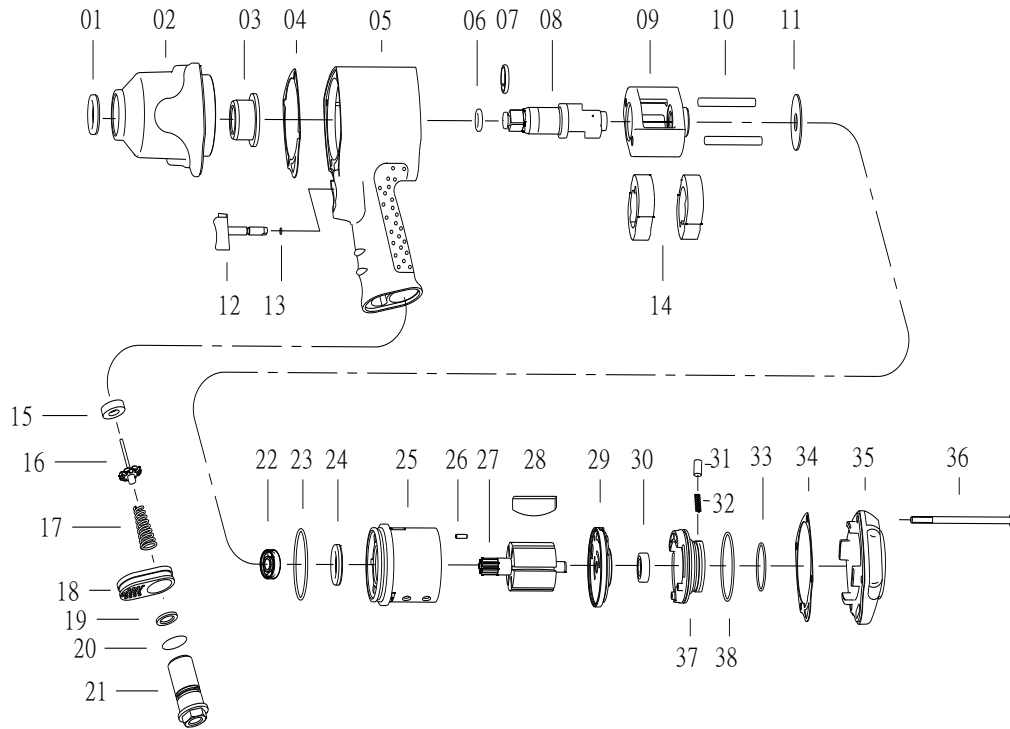


1/2" Slagmoersleutel - Impact wrench - Schlagschrauber - Boulonneuse



ITEM NO.	DESCRIPTION
1	OIL SEAL
2	HAMMER CASE
3	BUSHING
4	FRONT GASKET
5	MOTOR HOUSING
6	O-RING
7	ANVIL COLLAR
8	ANVIL
9	HAMMER CAGE
10	HAMMER PIN (2)
11	WASHER
12	TRIGGER
13	O-RING
14	HAMMER DOG (2)
15	RETAINER
16	VALVE STEM
17	SPRING
18	EXHAUST DEFLECTOR
19	WASHER

ITEM NO.	DESCRIPTION
20	O-RING
21	HOSE ADAPTOR
22	BALL BEARING
23	O-RING
24	OIL SEAL
25	CYLINDER
26	SPRING PIN
27	ROTOR
28	ROTOR BLADE (6)
29	REAR PLATE
30	BALL BEARING
31	PIN
32	SPRING PIN
33	O-RING
34	REAR GASKET
35	REAR COVER
36	SCREW (4)
37	REVERSE LEVER
38	O-RING